

FOR YOUR NEEDS



集中润滑系统 CENTRALIZED LUBRICATION SYSTEM

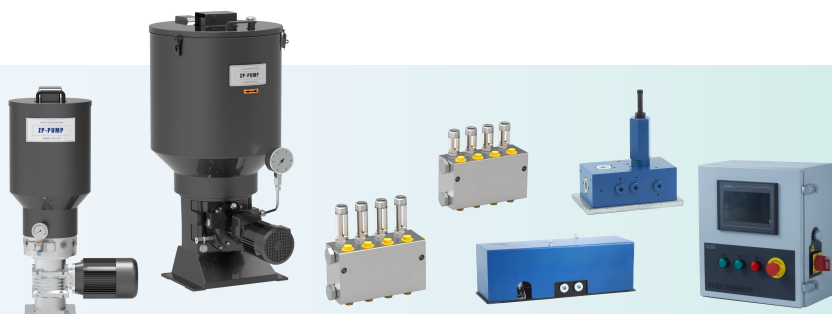
2024 V1.0
CENTRALIZED
LUBRICATION SYSTEM

烟台西索润滑技术有限公司
YANTAI CISOLUBE CO.LTD
ADD: 山东省烟台市高新区博斯纳路41号 WEB:WWW.CISOLUBE.COM
TEL:+86 400-800-9400



递进式润滑系统 Lubrication System for Progressive

单线式润滑系统 Lubrication System for Single-line



双线式润滑系统 Lubrication System for Dual-line

多点式润滑系统 Lubrication System for Multi-line





递进式润滑系统

Lubrication System

for Progressive

GT 电动润滑泵 Electric Pump

THE SMALL PUMP PACKAGE WITH BIG FEATURES



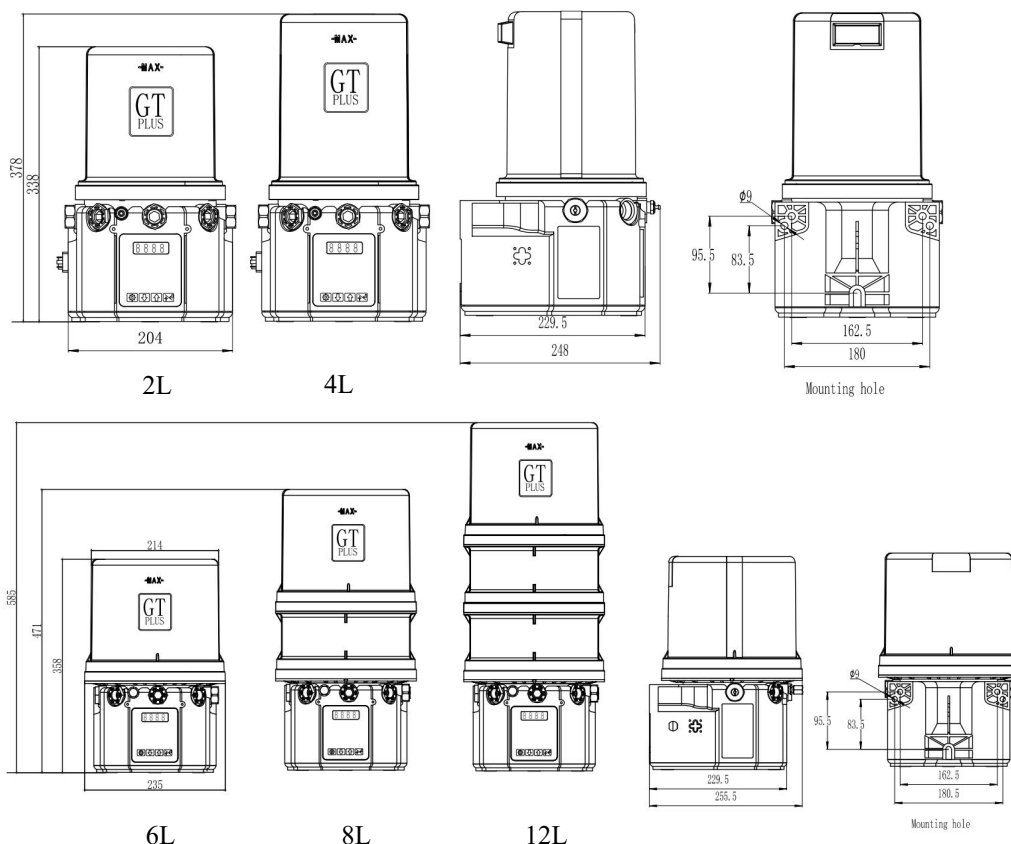
GT 是一款高压柱塞泵，最多可配五个柱塞副，可同时给五个独立线路润滑，出口可合并增加排量。特殊的本体材料，达到非常优异的抗震功能。特别的泵罐设计，易于观察油位并能有效阻隔紫外线照射，有效防止润滑油变质。

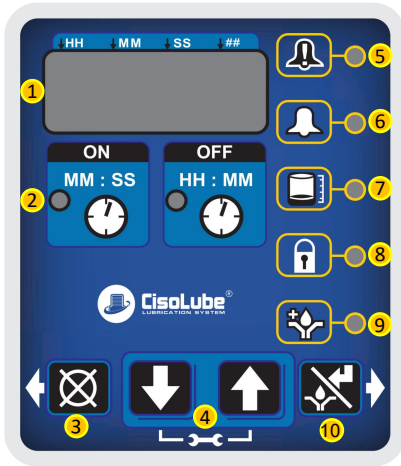
GT is a piston pump, predisposed to operate with a maximum of five pumping units, five independent line lubrication at the same time, output can be combined and increase displacement. With special materials, to achieve excellent anti-shock ability. Special design of pump make it easy to observe the oil level and prevent UV radiation, prevent oil deterioration.

Features

- 出口数量 Unit of pump outlets: Max. 5 unit
- 每泵单元流量 Flow per pump unit: 2ml、3ml、4ml/min
- 运行压力 Operating pressure: Max.35MPa
- 油箱容积 Reservoir Capacity: 2L、4L、6L、8L、12L
- 润滑剂 Lubricants: Oil or NLGI 000# to NLGI 2#
- 使用温度 Operating temperatures: -50~90°C

产品安装尺寸 Dimensions(mm)



强大的控制系统 Powerful control system

基础版功能 Basic function

- ① 易于读数的LED显示屏 Easy to read LED display
- ② 清晰易辨的开/关指示 Legible on/off instructions
- ③ 向左、复位功能 Reset function
- ④ 易于使用的导航键 Easy to use navigation keys
- ⑤ 润滑系统关机报警信号 Alarm signal of lube system shutdown
- ⑥ 润滑系统关机前的预警关机信号 Warning signal prior to lube system shutdown
- ⑦ 低液位指示 Low level indication
- ⑩ 向右、手动运行、回车功能 Manually run/Confirm

需定制功能 Custom function

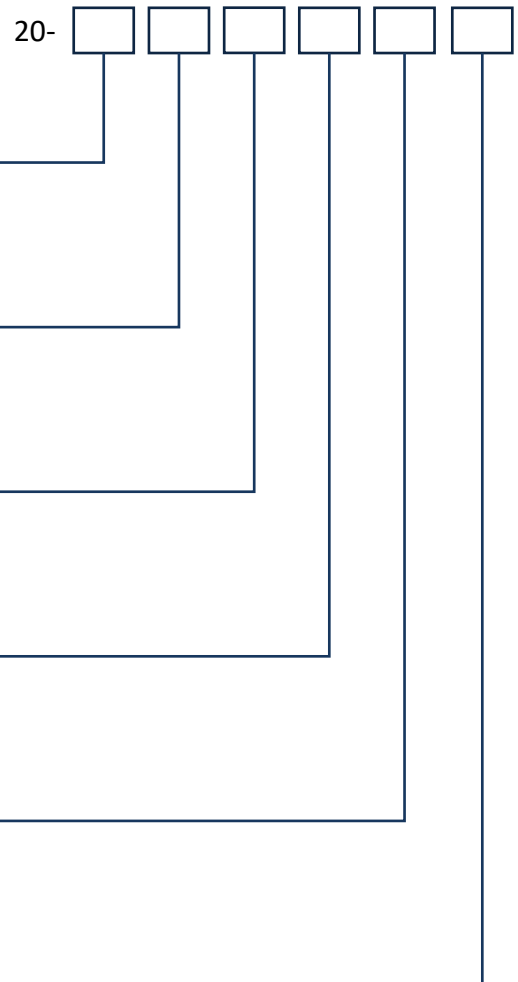
- ⑧ 控制装置访问受密码保护 Access to the control device is password protected
- ⑨ 预润滑功能 Pre-lube capability

★如需其他定制功能，请联系您的销售经理咨询。

★ For additional customization features, please contact your sales manager.

订购信息 Ordering information:

类型 Type D = 搅拌杆 Stir E = 压油盘 Follower
容积 Reservoir 2 = 2L 4 = 4L 6 = 6L 8 = 8L 12 = 12L
电压 Voltages 2=12VDC 4=24VDC 6=220V
控制器 Timer 1 = 带控制 with timer 6 = 不带控制 without timer
低液位 Low Level L= 带低液位 with level M= 不带低液位 without level
润滑剂 Lubricant G = 油脂 Grease O = 稀油 Oil



GP203 电动润滑泵 Electric Pump

FOR THE PROGRESSIVE LUBRICATION SYSTEM

GP203 是一款高压柱塞泵，最多可配三个柱塞副，可同时给三个独立线路润滑。尺寸紧凑，可根据管线长度提供多达150个润滑点。

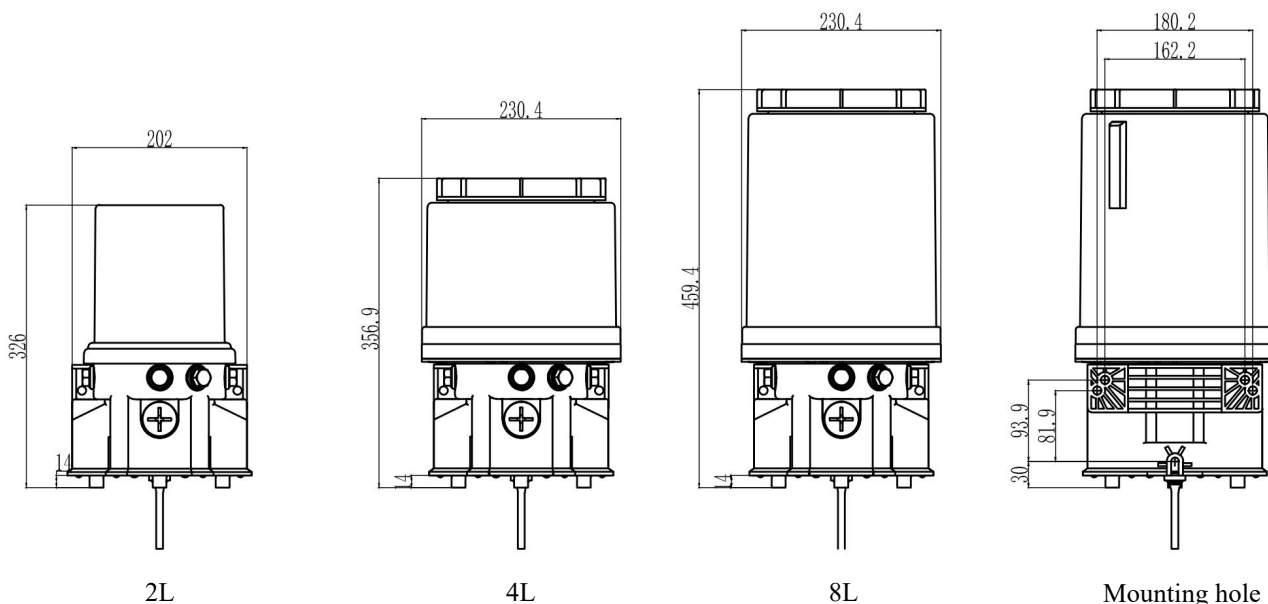
GP203 is a piston pump, predisposed to operate with a maximum of three pumping units, three independent line lubrication at the same time, The compact size provides up to 150 lubrication points depending on the length of the line.



Features

- 出口数量 Unit of pump outlets: Max. 3 unit
- 流量 (取决于泵元件) Flow: 0.6~4.4ml/min
- 运行压力 Operating pressure: Max.35MPa
- 油箱容积 Reservoir Capacity: 2L、4L、 8L
- 润滑剂 Lubricants: Oil or NLGI 000# to NLGI 2#
- 电压 Voltages: 12VDC、24VDC、115VAC、230VAC
- 使用温度 Operating temperatures: VDC -40 - 70°C
VAC -25 - 70°C

产品安装尺寸 Dimensions(mm)



GP205 电动润滑泵 Electric Pump

FOR THE PROGRESSIVE LUBRICATION SYSTEM



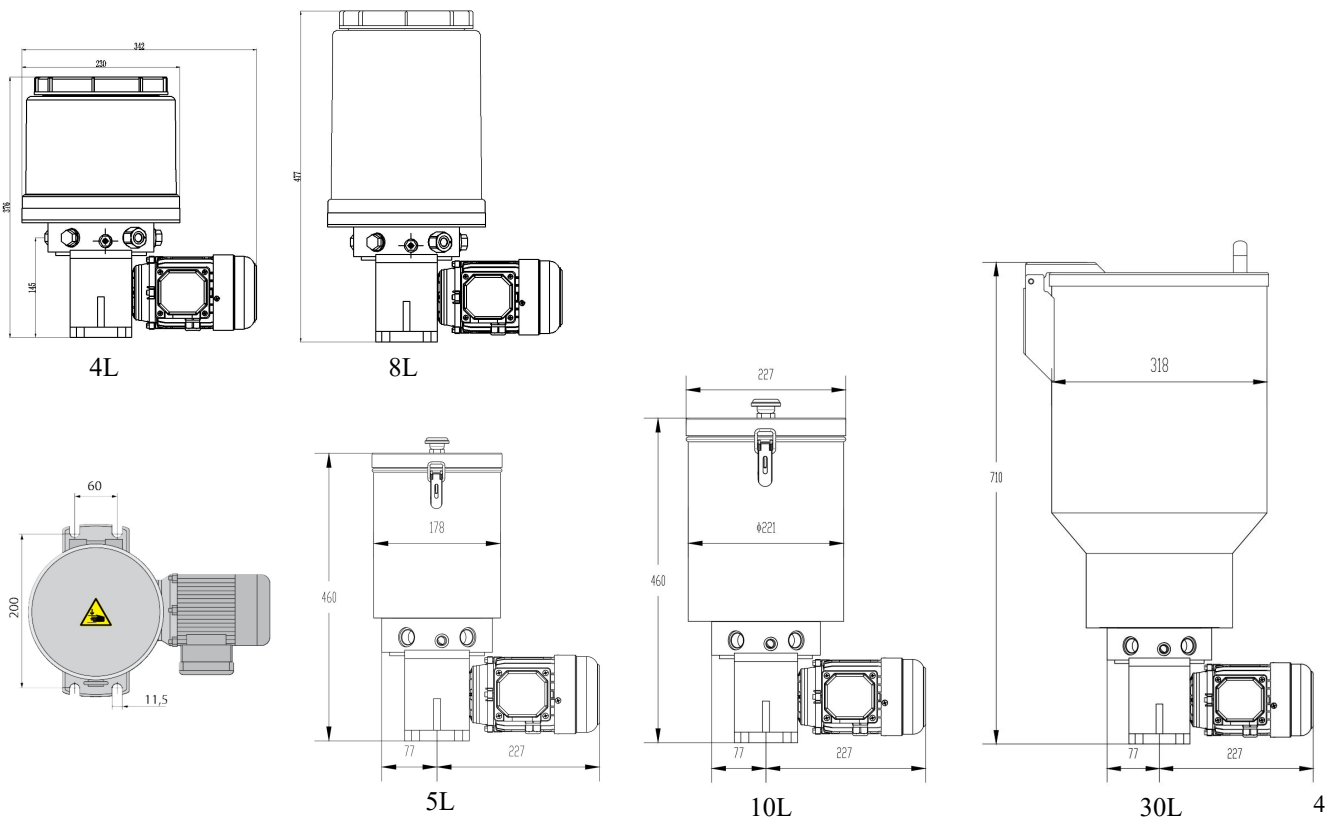
GP205 是一款高压柱塞泵，最多可配五个柱塞副，可同时给五个独立线路润滑，适用于大型集中润滑系统中使用。配备多量程的三相电机，提供不同的齿轮传动比和油箱容积。

GP205 is a piston pump, predisposed to operate with a maximum of three pumping units, three independent line lubrication at the same time, Suitable for large-scale centralized lubrication system. Three-phase motors with multiple ranges offer different gear ratios and fuel tank volumes.

Features

- 出口数量 Unit of pump outlets: Max. 5 unit
- 流量（取决于泵元件） Flow: 润滑油 0.08~7.7ml/min
润滑脂 0.08~5.5ml/min
- 运行压力 Operating pressure: Max. 35MPa
- 油箱容积 Reservoir Capacity: 塑料罐 4L、8L
金属罐 5L、10L、30L
- 润滑剂 Lubricants: Oil or NLGI 000# to NLGI 2#
- 电压 Voltages: 380~420 VAC/50HZ
- 使用温度 Operating temperatures: VDC -40 - 70°C; VAC -25 - 70°C

产品安装尺寸 Dimensions(mm)



GM 润滑泵 Electric Pump

MALL SIZE,LARGE PERFORMANCE



GM是一款高压柱塞泵，最多可配5个柱塞副，可同时给五个独立线路润滑，出口可合并增加排量。

其设计特别适用于递进或者单线系统。其尺寸特别适用于狭小空间安装。最高工作压力可达25Mpa，是润滑系统中更加经济的解决方案。

GM is a piston pump, predisposed to operate with a maximum of five pumping units, Five independent line lubrication at the same time.

Output can be combined and increase displacement. Its design is particularly suitable for progressive systems or singleline systems. Its size is particularly suitable for installation in small Spaces.

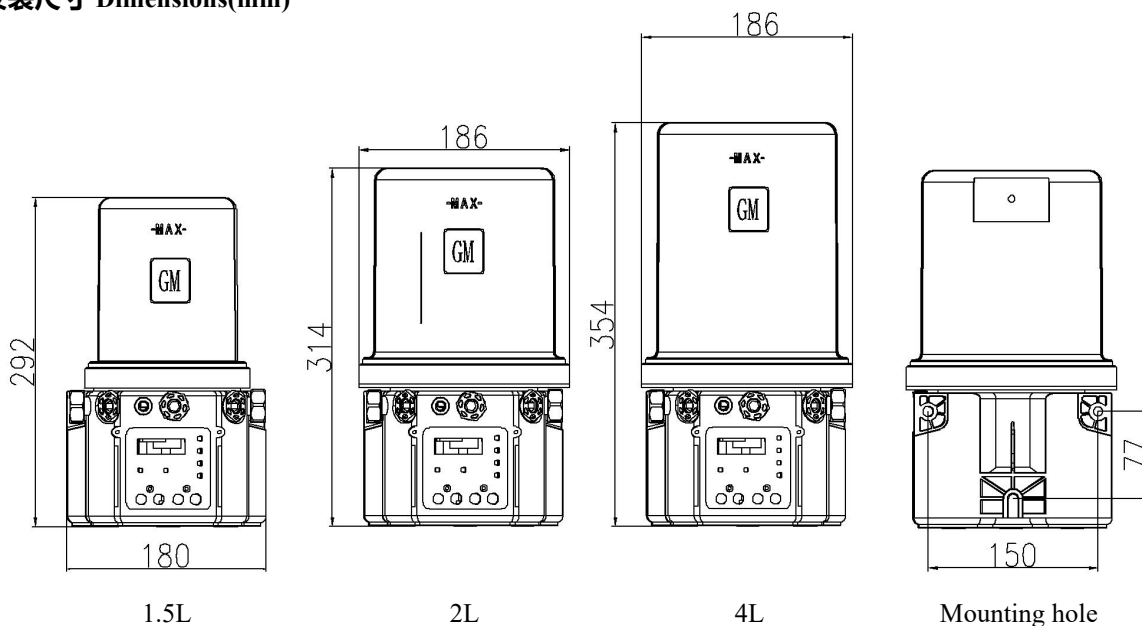
With a maximum working pressure of 25Mpa, it is a more economical solution for lubrication systems.

The special body material achieves very excellent seismic function.

Features

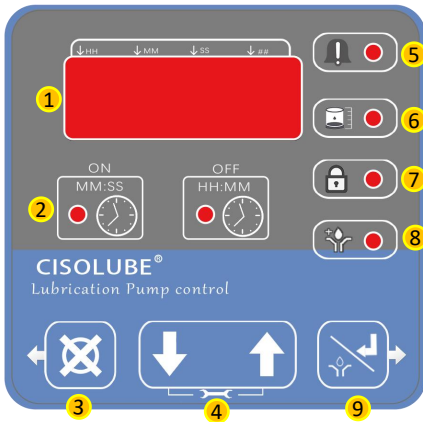
- 出口数量 Unit of pump outlets: Max. 5 unit
- 每泵单元流量 Flow per pump unit: 4ml/min
- 运行压力 Operating pressure: Max.25MPa
- 油箱容积 Reservoir Capacity: 1.5L、 2L、 4L
- 润滑剂 Lubricants: Oil or NLGI 000# to NLGI 2#
- 使用温度 Operating temperatures: -50~90°C

产品安装尺寸 Dimensions(mm)



强大的控制系统 Powerful control system
基础版功能 Basic function

- 1 易于读数的LED显示屏 Easy to read LED display
- 2 清晰易辨的开/关指示 Legible on/off instructions
- 3 向左、复位功能 Reset function
- 4 易于使用的导航键 Easy to use navigation keys
- 5 润滑系统关机报警信号 Alarm signal of lube system shutdown
- 6 低液位指示 Low level indication
- 9 向右、手动运行、回车功能 Manually run/Confirm


需定制功能 Custom function

- 7 控制装置访问受密码保护 Access to the control device is password protected
- 8 预润滑功能 Pre-lube capability

★如需其他定制功能，请联系您的销售经理咨询。

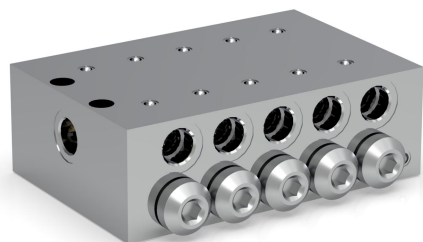
★ For additional customization features, please contact your sales manager.

订购信息 Ordering information:

类型 Type D = 搅拌杆 Stir	
容积 Reservoir 1 = 1.5L 2 = 2L 4 = 4L 7 = 油脂包 Cartridge	
电压 Voltages 2 = 12VDC 4 = 24VDC 3 = AC110V 6 = 220VAC	
控制器 Timer 1 = 带控制 with timer 6 = 不带控制 without timer	
低液位 Low Level L= 带低液位 with level M= 不带低液位 without level	
润滑剂 Lubricant G = 油脂 Grease O = 稀油 Oil	

22-

DSP 块式分配阀 Block distributor Valve



DSP 是一种单块式递进分配器，是狭窄空间的最好选择。每个出口流量可达0.2ml/cyc，内部特殊工艺，可通过内部或外部合并出口，实现流量叠加。

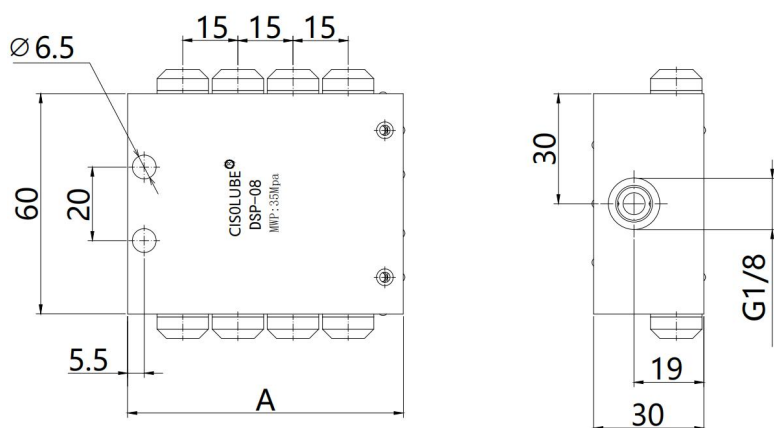
通过移走一个堵头，换成目视或者电子监控装置，可以实现目视或电子监控。

The DSP is a single block progressive divider valve that is ideal for applications where space is limited. Each outlet can flow up to 0.2ml/cyc, Internal special process, through internal or external combination of oil outlet to achieve flow superposition. Visual or electronic monitoring can be achieved by removing a plug and replacing it with a visual or electronic monitoring device.

Features

- 出口数量 Outlets number: 6~22 unit
- 每一出油口排量 Discharge (for outlet): 0.2ml/min
- 最大工作压力 Max.pressure: Max.35MPa
- 最小工作压力 Min.pressure: Min.0.2MPa
- 循环周期 Piston cycles: Max. 200cyc/min
- 工作温度 Operating temperature: - 40°C~+200°C
- 材质 Material: 碳钢或不锈钢 Carbon steel or SS

产品安装尺寸 Dimensions(mm)

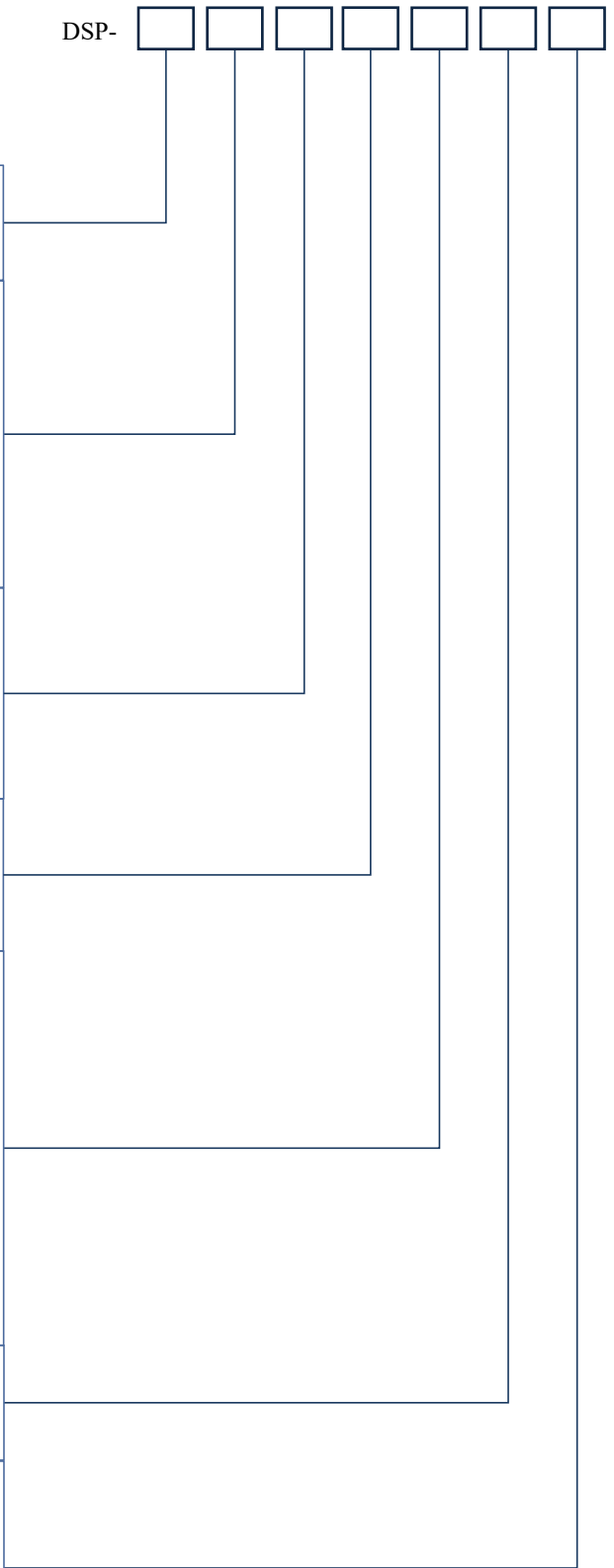


出口数 Outlets	A
6	60
8	75
10	90
12	105
14	120
16	135
18	150
20	165
22	180

订购信息 Ordering information:

DSP-

<p>A = 镀锌镍原色 Zinc-nickel B = 镀锌镍黑 Zinc-nickel black</p>
<p>出口数量 Outlet Number 06=6 08=8 10=10 ⋮ 22=22</p>
<p>入口接头尺寸 Inlet Connector XX=不带进口接头 Without inlet fittings 06=Ø6mm 08=Ø8mm</p>
<p>入口接头形式 Inlet Connector shape D= 直通卡套接头 Straight fitting assembly H= 直角卡套接头 90° fitting assembly</p>
<p>类型 Type XXX=不带指示杆 Without pin 目视指示杆 Visual Pin Cxx=安装在xx口 Which outlet to install 电子传感器 Inductive sensor Exx=PNP型 安装在xx口 Which outlet to install 超级传感器 Ultra sensor KRxx= 安装在xx口 Which outlet to install</p>
<p>堵头 Plug XD=3-20</p>
<p>出口接头 Outlet Connector XX= 不带出口接头 Without outlet fittings S6= Ø6mm 带单向阀接头 Ø6mm Fitting with check valve Q6= Ø6mm 快插接头 Push-in Fitting</p>



DSPP 块式分配阀 Block distributor Valve

FOR THE PROGRESSIVE LUBRICATION SYSTEM



DSPP 是一款紧凑的单块递进式分配器，可通过不同的计量螺杆大小调节输出排量，最小调至0.08ml/每循环，最大1.80ml/每循环。任意出口在安装堵头后可以和相邻的下一个出口相连。通过移走一个堵头，换成目视或者电子监控装置，可以实现目视或电子监控。

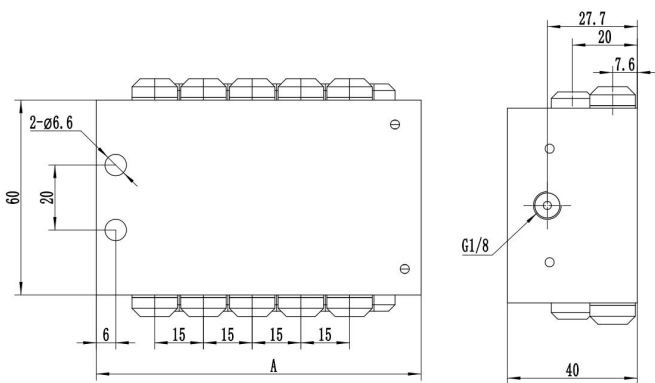
DSPP type distributor valve is a compact single block progressive distributor valve with adjustable output by means of different metering screw sizes.

Visual or electronic monitoring can be achieved simply by removing a plug and installing a visual or electronic add-on device as shown below.

Features

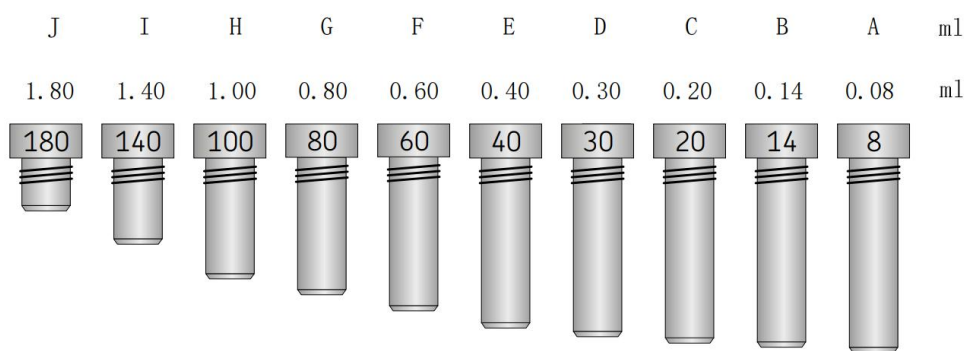
- 出口数量 Outlets number: 6~22 unit
- 每一出油口排量 Discharge (for outlet): min 0.08 ml/cyc; max 1.80 ml/cyc
- 最大工作压力 Max.pressure: Max.35MPa
- 最小工作压力 Min.pressure: Min.0.2MPa
- 循环周期 Piston cycles: Max. 200cyc/min
- 工作温度 Operating temperature: - 25°C~+70°C
- 材质 Material: 碳钢或不锈钢 Carbon steel or SS

产品安装尺寸 Dimensions(mm)



出油口数量 Outlets	A	出油口数量 Outlets	A
6	70	16	145
8	85	18	160
10	100	20	175
12	115	22	190
14	130	-	-

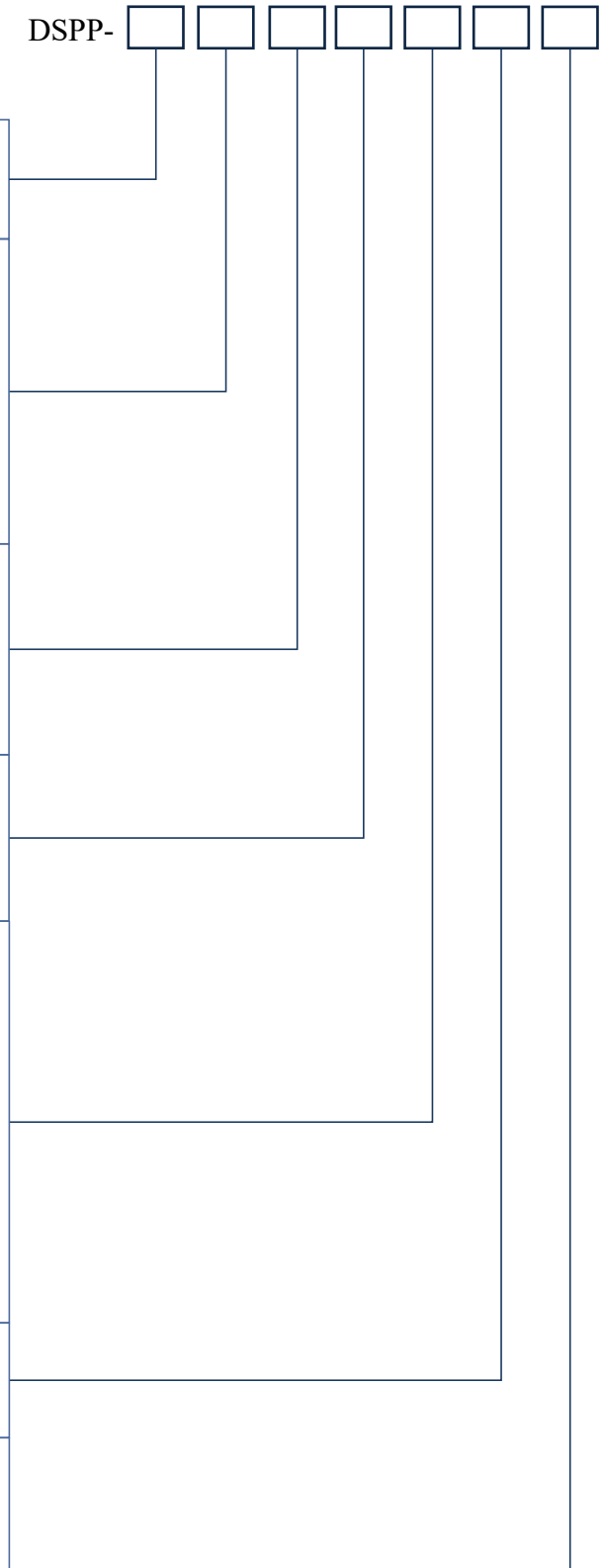
计量螺钉 Metering screws



订购信息 Ordering information:

DSPP-

<p>A = 镀锌镍原色 Zinc-nickel B = 镀锌镍黑 Zinc-nickel black</p>
<p>出口数量 Outlet Number</p> <p>06=6 08=8 10=10 ⋮ 22=22</p>
<p>进口接头 Inlet Connector</p> <p>XX=不带进口接头 Without inlet fittings 06=Ø6mm 08=Ø8mm</p>
<p>进口接头形式 Inlet Connector shape</p> <p>D = 直通卡套接头 Straight fitting assembly H = 直角卡套接头 90° fitting assembly</p>
<p>类型 Type</p> <p>XXX = 不带指示杆 Without pin</p> <p>目视指示杆 Visual Pin</p> <p>Cxx = 安装在xx口 Which outlet to install</p> <p>电子传感器 Inductive sensor</p> <p>Exx = PNP型 安装在xx口 Which outlet to install</p> <p>超级传感器 Ultra sensor</p> <p>KRxx= 安装在xx口 Which outlet to install</p>
<p>出油口堵头 Plug</p> <p>XD = 3-22</p>
<p>出口接头 Outlet Connector</p> <p>XX = 不带出口接头 Without outlet fittings</p> <p>S6 = Ø6mm 直通卡套接头 带单向阀 Fitting with check valve</p> <p>Q6 = Ø6mm 快插接头 Push-in Fitting</p> <p>M6 = Ø6mm 卡套和卡套帽 Nut and fellule</p>



DXF 片式分配阀 Modular distributor valve

For the progressive delivery of mineral oil and grease for lubrication



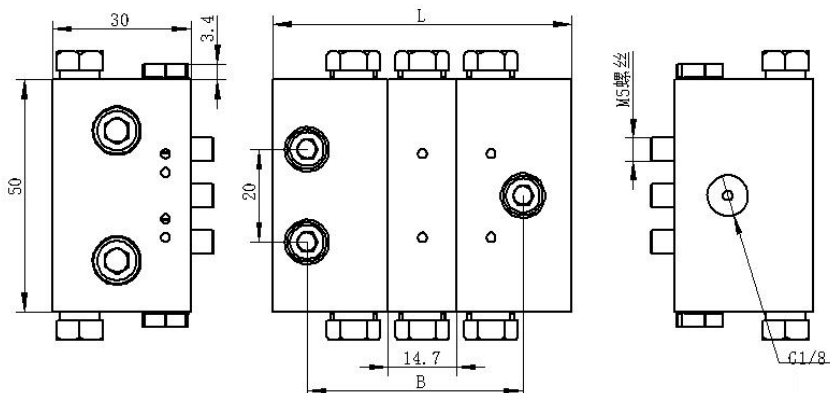
DXF分配器至少由三个元件组成，一个首片，一个中间片和一个尾片组成，可以提供3至24个润滑点的润滑。有多种规格的排量以供选择。每个出油口均可进行并联，实现出油量翻倍增加。可以轻松配置机械和电子传感器，为成功润滑提供积极保障。

DXF distributor is composed of three elements, at least a first block, a middle block and an Tail block, can provide 3 to 24 lubrication point of lubrication. There are many sizes of displacement to choose from. Each oil outlet can be carried out in parallel, double oil quantity increase. Mechanical and electronic sensors can be easily configured to provide positive assurance for successful lubrication.

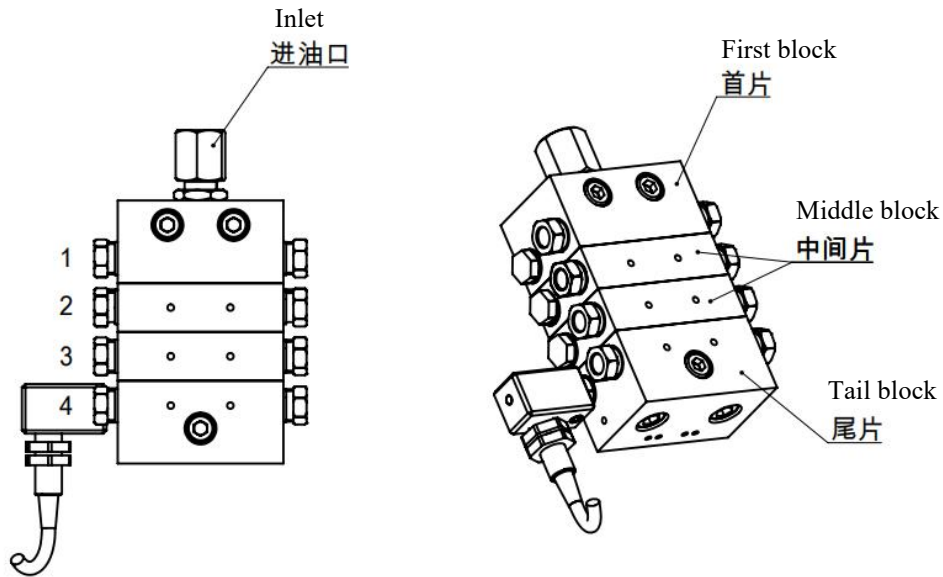
Features

- 出口数量 Outlets number: 最多24个 Max.24
- 每一出油口排量 Discharge (for outlet): 0.025 ml/cyc; 0.045 ml/cyc; 0.075ml/cyc; 0.105ml/cyc
- 最大工作压力 Max.pressure: Max.30MPa
- 循环周期 Piston cycles: Max. 300cyc/min
- 工作温度 Operating temperature: - 20°C~+100°C
- 材质 Material: 碳钢或不锈钢 Carbon steel or SS

产品安装尺寸 Dimensions(mm)



工作块片数 Outlets	L(mm)	B(mm)
3	64.7	46.7
4	79.4	61.4
5	94.1	76.1
6	108.8	90.8
7	123.5	105.5
8	138.2	120.2
9	152.9	134.9
10	167.6	149.6
11	182.3	164.3
12	197	179

订购信息 Ordering information:


注：为区别左右出口，应将设备立放，分配器的元件从上（进油口）进行编号。

Note: To distinguish between left and right outlets, the equipment should be placed vertically, and the components of the distributor should be numbered from the top (inlet).

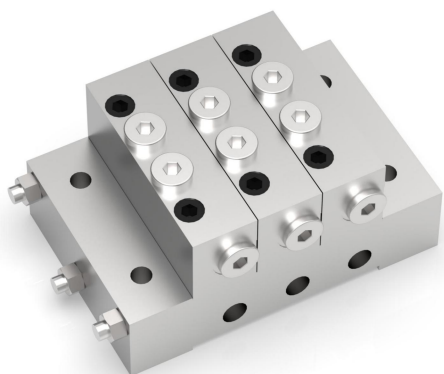
排量 (ml) Flow rate	出口并联形式 Outlets	循环控制 Cycle control	出油管径 Outlet oil pipe diameter
25	BL 左桥 Bridge left	ER PNP 电子传感器 右 PNP Inductive sensor right	Q4 Ø4 快插式 Push-in fitting
45	BR 右桥 Bridge right	EL PNP 电子传感器 左 PNP Inductive sensor left	Q6 Ø6 快插式 Push-in fitting
75	BLR 左/右桥 Bridge left&right	VR 目视指示杆 右 Visual right side	D4 Ø4 卡套式 Ferrule fitting
105		VL 目视指示杆 左 Visual left side	D6 Ø6 卡套式 Ferrule fitting
			S6 Ø6 卡套式 带单向阀 Fitting with check valve
			M4 Ø4 双锥卡套和套管帽 Sleeve and nut
			M6 Ø6 双锥卡套和套管帽 Sleeve and nut

Order example

以4片示例：DXF-4-D6 25 M6 / 45 ER M6/ 75 M6 / 105 M6

1 2 3 4

VSP 模块化分配阀 Modular distributor valve



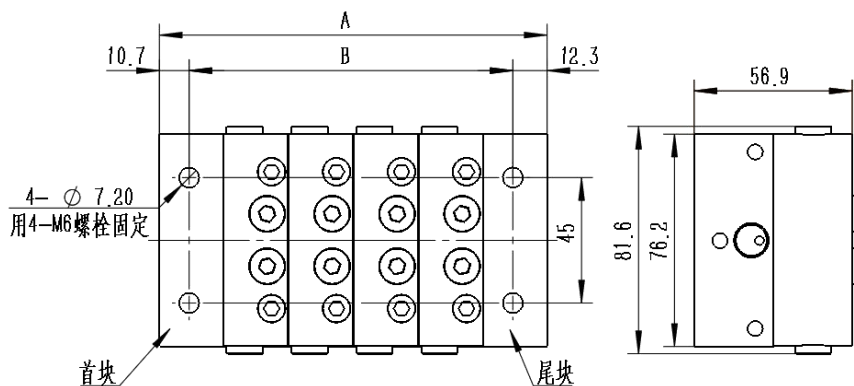
西索VSP 模块化分配阀能够保证精确的润滑，并且适用于各种苛刻工况，是一款完美的润滑剂分配解决方案分配器。由于系统具有良好的模块化性质，因此能够很方便地进行扩展，更改分配器元件时也不需要拆解润滑管路，确保了更快的相应速度和更低的维护成本。

VSP modular distributor valve can ensure accurate lubrication, and is suitable for all kinds of harsh conditions, is a perfect lubricant distributor solution. Thanks to its modularity, the system can be easily expanded and replacement of metering elements can occur without removing the pipework, thereby guaranteeing low maintenance costs.

Features

- 出口数量 Outlets number: 3~16
- 标准排量 Discharge (for outlet): 0.08~1.3ml/cyc
- 最大工作压力 Max.pressure: 241bar, 3500 psi
- 带循环指示器最大循环速度 Max. cycle speed with cycle indicator: 60cyc/min
- 工作温度 Operating temperature: - 30°C~+150°C
- 材质 Material: 碳钢或不锈钢 Carbon steel or SS

产品安装尺寸 Dimensions(mm)



工作片数 Outlets	A(mm)	B(mm)
3	116.8	91.4
4	127	114.3
5	162.6	137.2
6	188	160
7	210.8	185.4
8	233.7	208.3

订购信息 Ordering information:

VSP阀工作阀块 (必须以5的倍数订购)
Working valve block of VSP valve (must be ordered in multiples of 5)

项目 Ref	出口 out	说明 Description	每个出口的输出量, in ³ (cm ³)	型号 Model		
				标准阀块Standard valve block	带循环销—右 With circulating pin-right	带循环销—左 With circulating pin-left
1	单 Single	VSP-5S	0.010(0.16)	61911	不适用 Not applicable	
		VSP-10S	0.020(0.33)	61912		
		VSP-15S	0.030(0.49)	61913		
		VSP-20S	0.040(0.66)	61914	61914RD	61914LD
		VSP-25S	0.050(0.82)	61915	61915RD	61915LD
		VSP-30S	0.060(0.98)	61916	61916RD	61916LD
		VSP-35S	0.070(1.15)	61917	61917RD	61917LD
		VSP-40S	0.080(1.31)	61918	61918RD	61918LD
	双 Twins	VSP-5T	0.005(0.08)	61919	不适用 Not applicable	
		VSP-10T	0.010(0.16)	61920		
		VSP-15T	0.015(0.26)	61921		
		VSP-20T	0.020(0.33)	61922	61922RD	61922LD
		VSP-25T	0.025(0.41)	61923	61923RD	61923LD
		VSP-30T	0.030(0.49)	61924	61924RD	61924LD
		VSP-35T	0.035(0.57)	61925	61925RD	61925LD
		VSP-40T	0.040(0.66)	61926	61926RD	61926LD



单线式润滑系统

Lubrication System

for Single-line

C-FLOW 高性能电动泵 Electric Pump

C - FLOW 是一款紧凑型高性能电动泵，其独特的旋转驱动和模块化齿轮组可匹配多种转速。电机采用无刷电机，噪音小，维护成本低，使用寿命更长。具有泵体坚固、耐用、排量大，体积小易于安装的特点。

C - FLOW is a compact high-performance electric pump, driven by a motor's rotary motion to turn with the reciprocating motion of the pump to provide lubricant flow effectively. Motor adopts brushless motor, low noise, low maintenance cost, long service life. A pump body strong, durable, large displacement, the characteristics of small size is easy to install.

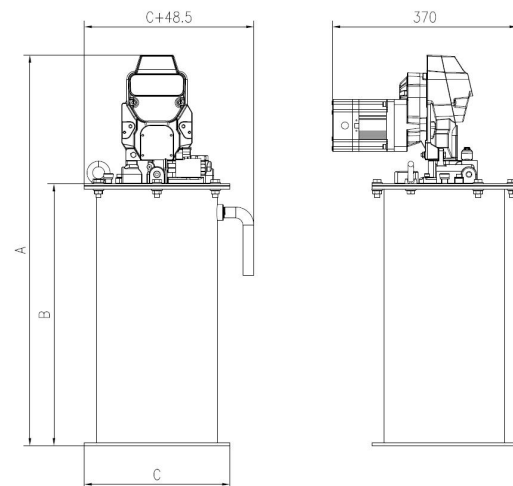
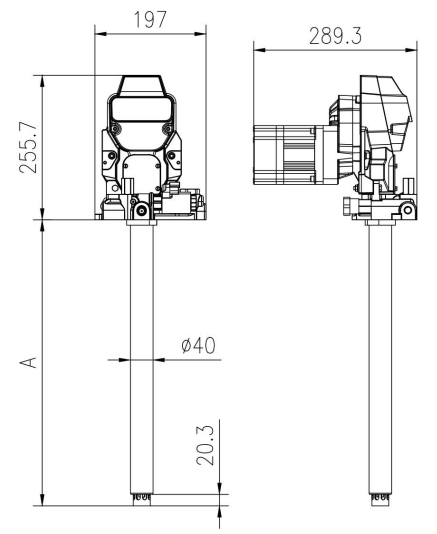


Features

- 最高工作压力 Max.Operating pressure: Max. 241Bar
- 排量 Output rate: Max. 74ml/min
- 油箱容积 Reservoir Capacity: 12L、20L、27KG、41KG
- 油桶材质 Material: 碳钢、不锈钢 Carbon Steel、SS
- 电压 Voltages: 24VDC
- 使用温度 Operating temperatures: -40°C ~ 65°C

标准泵尺寸 Standalone pump, without oil tank (mm)

带桶尺寸 With tank dimensions(mm)



容积 Reservoir	A
12L/35LB	354.5
20L/60LB/27KG	500
90LB/41KG	711

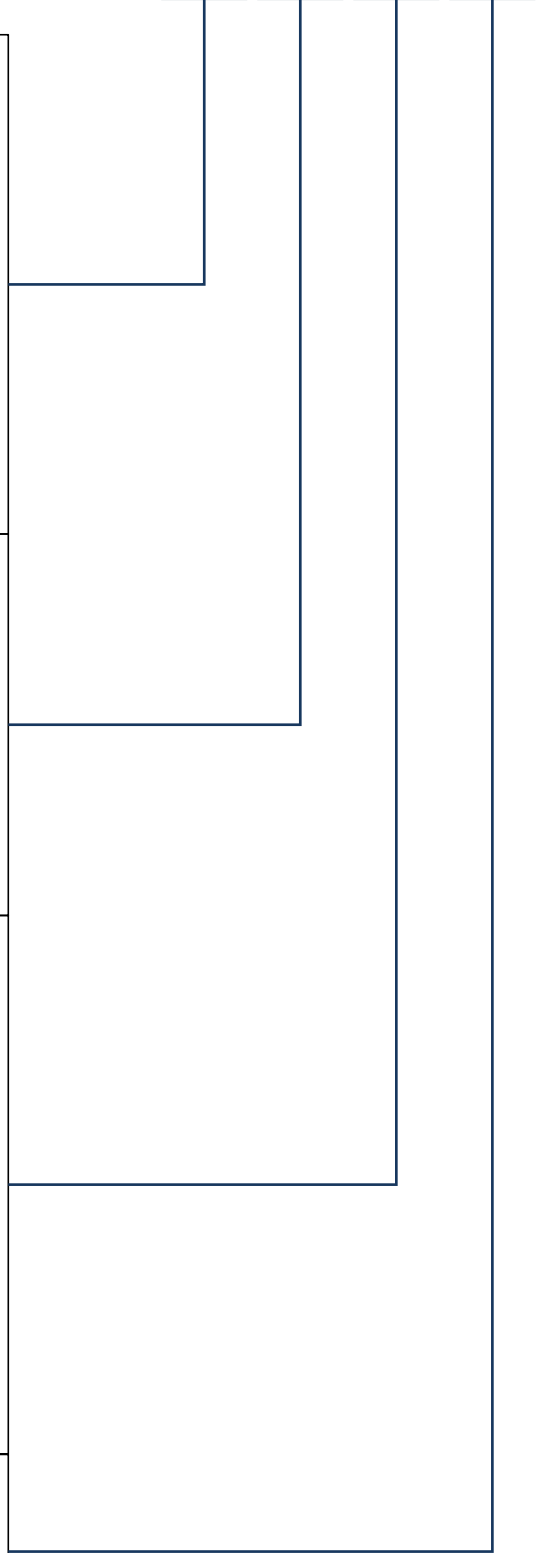
容积 Reservoir	A	B	C
12L	630	365	291
20L	781	524	291
60LB/27KG	777	519	291
90LB/41KG	982	724	291

订购信息 Ordering information:

C-FLOW-



<p>泵说明 Pump Description</p> <p>1 = 12L桶长度, 24VDC 12L bucket length, 24VDC</p> <p>2 = 20L桶长度, 24VDC 20L bucket length, 24VDC</p> <p>3 = 35 磅桶长度 (不配料桶, 使用油脂自带油桶) 35 lb bucket length, 24VDC (Do not mix the bucket, use the oil with the grease)</p> <p>4 = 60 磅/27KG 桶长度, 24VDC 60lb /27KG bucket length, 24VDC</p> <p>5 = 90 磅/41KG 桶长度, 24VDC 90 lb /41KG bucket length, 24VDC</p>
<p>计量系统反馈 Metering System Feedback</p> <p>0 = 单线路递进式, 无排气阀, 无压力报告 Series progressive, no vent-valve, no pressure feedback (plugged outlet)</p> <p>1 = 排气阀, 无压力报告 Vent-valve, no pressure feedback (plugged outlet)</p> <p>2 = 排气阀, 压力开关 Vent-valve, pressure switch</p> <p>3 = 排气阀, 压力传感器 Vent-valve, pressure-reporting transducer</p>
<p>容积 Reservoir</p> <p>0 = 无桶, 裸泵 No reservoir, bare pump</p> <p>1 = 12L 钢制桶, 带压油盘 12L steel reservoir, follower plate</p> <p>2 = 20L 钢制桶, 带压油盘 20L steel reservoir, follower plate</p> <p>3 = 35磅塑料桶配件包 35 lb plastic bucket kit-cover,follower plate (bucket not included)</p> <p>4 = 12L 钢制桶, 无压油盘 12L steel reservoir, no follower plate</p> <p>5 = 20L 钢制桶, 无压油盘 20L steel reservoir, no follower plate</p> <p>6 = 60 lb / 27KG 钢制桶, 带压油盘 steel reservoir, follower plate</p> <p>7 = 60 lb / 27KG 钢制桶, 不带压油盘 steel reservoir, no follower plate</p> <p>8 = 90 lb / 41KG 钢制桶, 带压油盘 steel reservoir, follower plate</p> <p>9 = 90 lb / 41KG 钢制桶, 不带压油盘 steel reservoir, no follower plate</p>
<p>桶附件 Reservoir Accessories</p> <p>0 = 无桶, 裸泵 No reservoir, bare pump</p> <p>1 = 低液位开关 Low-level switch</p> <p>2 = 液位传感器 Level-reporting transducer</p>



LUBESTAR 高性能电动泵 Electric Pump

紧凑且多功能，其独特的旋转驱动和模块化齿轮设置允许您调整泵电机的速度，以完全适合您的应用程序。

Compact and versatile, its unique rotary drive and modular gear set let you adjust the speed of the pump's motor to exactly fit your application.

先进技术：无刷直流电机

Advanced technology: brushless DC motor

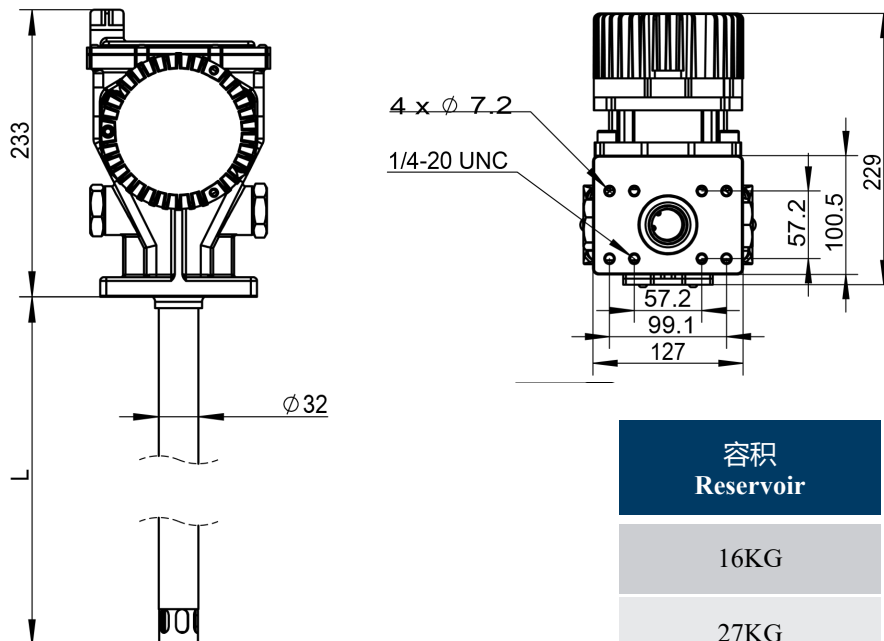
可选的防溢流系统，以提高工人安全并最大限度地减少过度填充造成的环境问题

Optional overflow prevention system to improve worker safety and minimize environmental concerns caused by overfilling

Features

- 最高工作压力 Max. Operating pressure: Max. 345Bar
- 排量 Output rate: Max. 103ml/min Min. 6.3ml/min
- 油箱容积 Reservoir Capacity: 27KG/60LB、41KG/90LB、55KG/120LB
- 油桶材质 Material: 碳钢、不锈钢 Carbon Steel, SS
- 电压 Voltages: 24VDC
- 使用温度 Operating temperatures: -40°C ~ 65°C

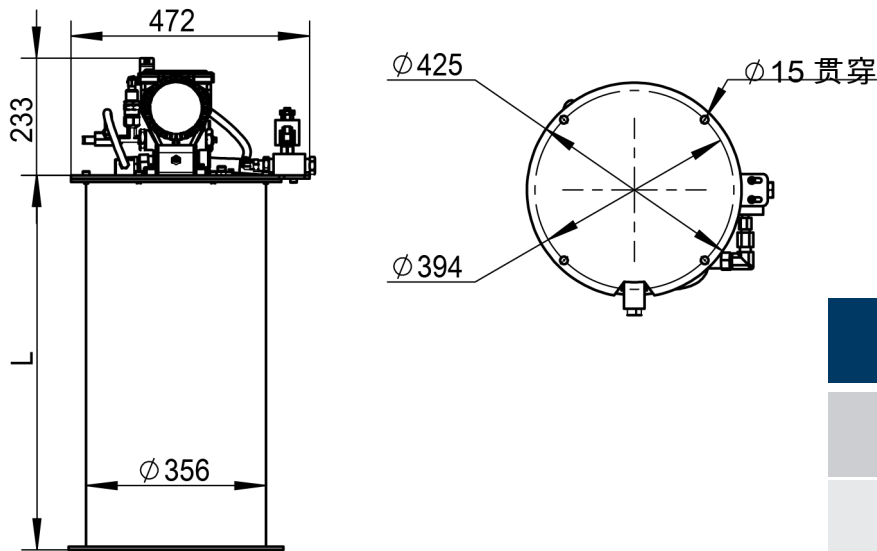
标准泵尺寸 Standalone pump, without oil tank (mm)



容积 Reservoir	L
16KG	348
27KG	483
41KG	699
180KG	864



带桶尺寸 With tank dimensions(mm)



容积 Reservoir	L
27KG	508
41KG	742

订购信息 Ordering information:

型号 Part number	描述 Description	电压 Power	容积 Reservoir	减速比 Ratio	最大工作压力 Operating pressure max.
E5479	泵, 压油盘, 桶盖, 附件 pump, follwer, bucket cover, hardware	24V	16KG/35LB	19:1	170bar; 2500psi
E5728	泵带油桶 Pump and reservoir	24V	27KG/60LB	19:1	345bar; 5000psi
E5729	泵带油桶 Pump and reservoir	24V	41KG/90LB	19:1	345bar; 5000psi
E5730	泵带油桶 Pump and reservoir	24V	55KG/120LB	19:1	345bar; 5000psi
E5736	裸泵 Pump	24V	16KG/35LB	19:1	345bar; 5000psi
E5737	裸泵 Pump	24V	27KG/60LB	19:1	345bar; 5000psi
E5738	裸泵 Pump	24V	41KG/90LB 55KG/120LB	19:1	345bar; 5000psi
E5739	裸泵 Pump	24V	180KG/400LB	19:1	345bar; 5000psi

LUBESTAR 高性能液动泵 Hydraulic Pump

高性能 Lubestar 液动泵结合了旋转驱动泵电机和往复泵管路，以及灵活的控制功能，可在炎热的沙漠和寒冷的北极运行。泵和油箱的组合模型配备液位传感器和直接关闭系统。

High-performance Lubestar hydraulic pumps combine rotary-driven pump motors with reciprocating pump tubes and flexible control features that perform in desert heat and arctic cold. Pump and reservoir combination models are automatically level-sensor and shut-off system ready

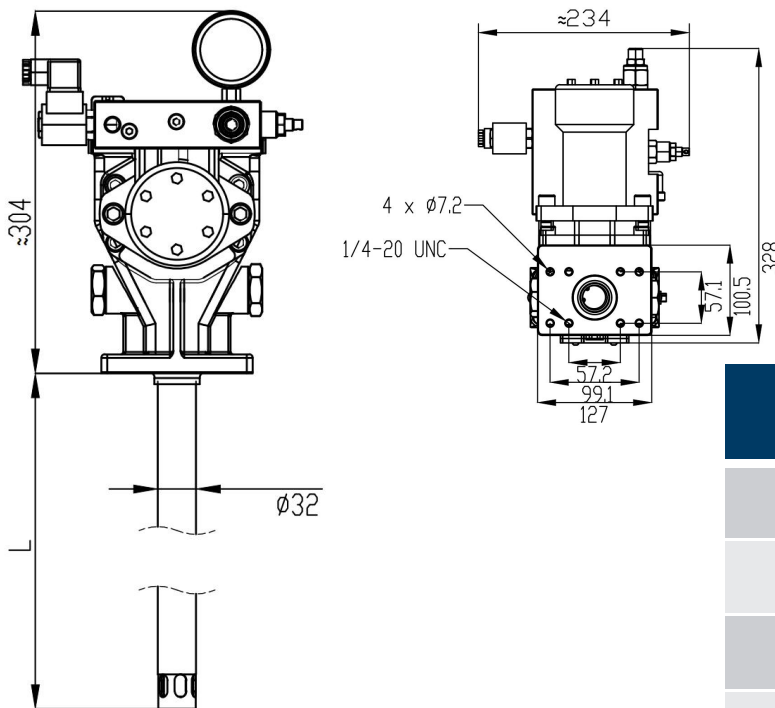
可选的防溢流系统，以提高工人安全并最大限度地减少过度填充造成的环境问题
Optional overflow prevention system to improve worker safety and minimize environmental concerns caused by overfilling

Features

- 操作进油口压力 Operating inlet pressure: 20~32 Bar
- 供给进油口压力 Supply inlet pressure: Max. 200Bar
- 排量 Output rate: Max. 737ml/min Min. 115ml/min
- 油箱容积 Reservoir Capacity: 27KG/60LB、41KG/90LB、55KG/120LB
- 油桶材质 Material: 碳钢、不锈钢 Carbon Steel、SS
- 使用温度 Operating temperatures: -29°C ~ 65°C

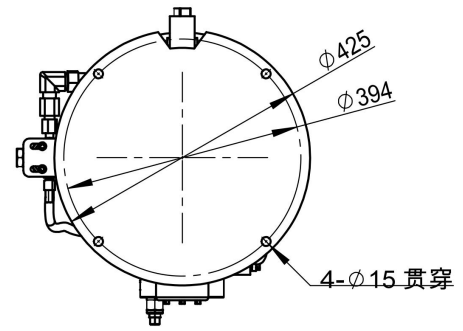
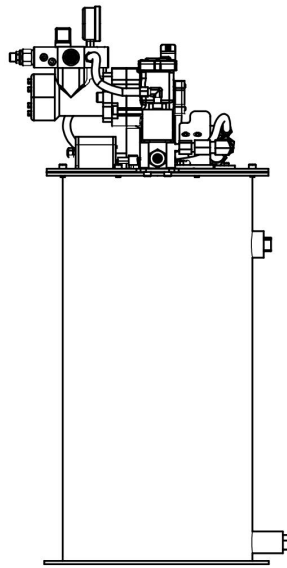
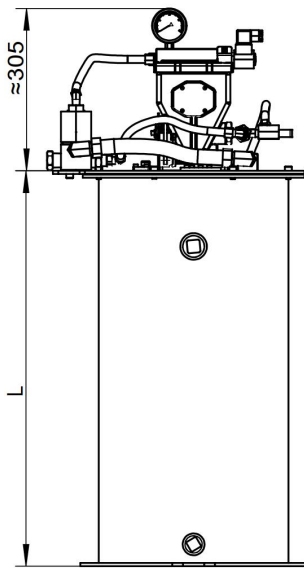


标准泵尺寸 Standalone pump, without oil tank (mm)



容积 Reservoir	L
16KG	348
27KG	483
41KG	699
180KG	864

带桶尺寸 With tank dimensions(mm)



容积 Reservoir	L
27KG	508
41KG	742

订购信息 Ordering information:

型号 Part number	描述 Description	容积 Reservoir	手动调压阀 Solenoid manual override	可调流量控制 Adjustable flow control	可调压力控制 Adjustable pressure control
E5722	泵和桶, 带压油盘和低液位检测 pump and bucket with follower and low-level detection	27KG/60LB	-	√	√
E5723	泵和桶 Pump and reservoir	27KG/60LB	-	-	-
E5725	泵和桶, 带压油盘和低液位检测 pump and bucket with follower and low-level detection	41KG/90LB	-	√	√
E5726	泵和桶 Pump and reservoir	41KG/90LB	√	-	-
E5727	泵和桶, 带压油盘和高低液位检测 Pump and bucket with follower, low- and high-level detection, mechanical shut-off device and reservoir	54KG/120LB	-	√	√
E5731	裸泵 Pump	16KG/35LB	-	√	√
E5732	裸泵 Pump	27KG/60LB	-	√	√
E5733	裸泵 Pump	41KG/55KG/90LB/ 120LB	-	√	√
E5734	裸泵 Pump	180KG/400LB	-	√	√
E5735	裸泵 Pump	27KG/60LB	-	-	-
E5741	裸泵 Pump	27KG/60LB	√	-	-
E5742	裸泵 Pump	41KG/55KG/90LB/ 120LB	√	-	-

GTS 电动泵 Electric Pump

GTS是一款高压柱塞泵，其设计特别适用于单线系统。特殊的本体材料，达到非常优异的抗震功能。特别的泵罐设计，易于观察油位并能有效阻隔紫外线照射，有效防止润滑油变质。

GTS pump is a high pressure piston pump, Its design is particularly suitable for single-line systems.

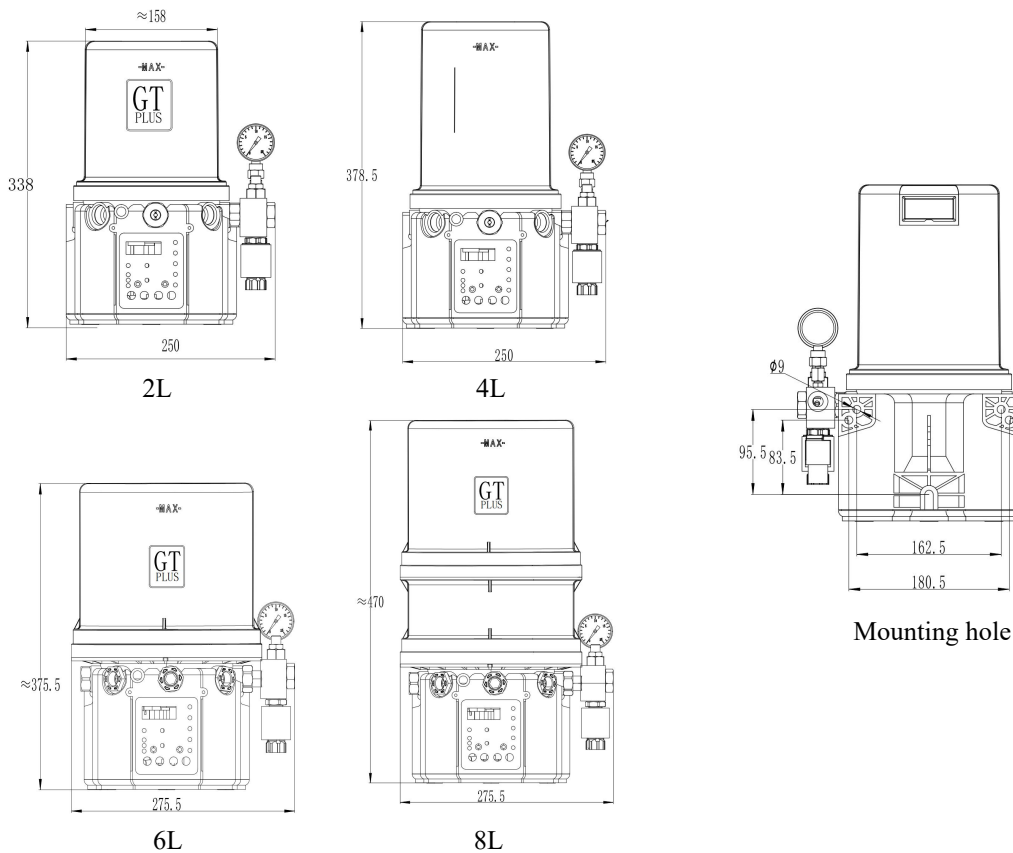
With special materials, to achieve excellent anti-shock ability. Special design of pump make it easy to observe the oil level and prevent UV radiation, prevent oil deterioration.

Features

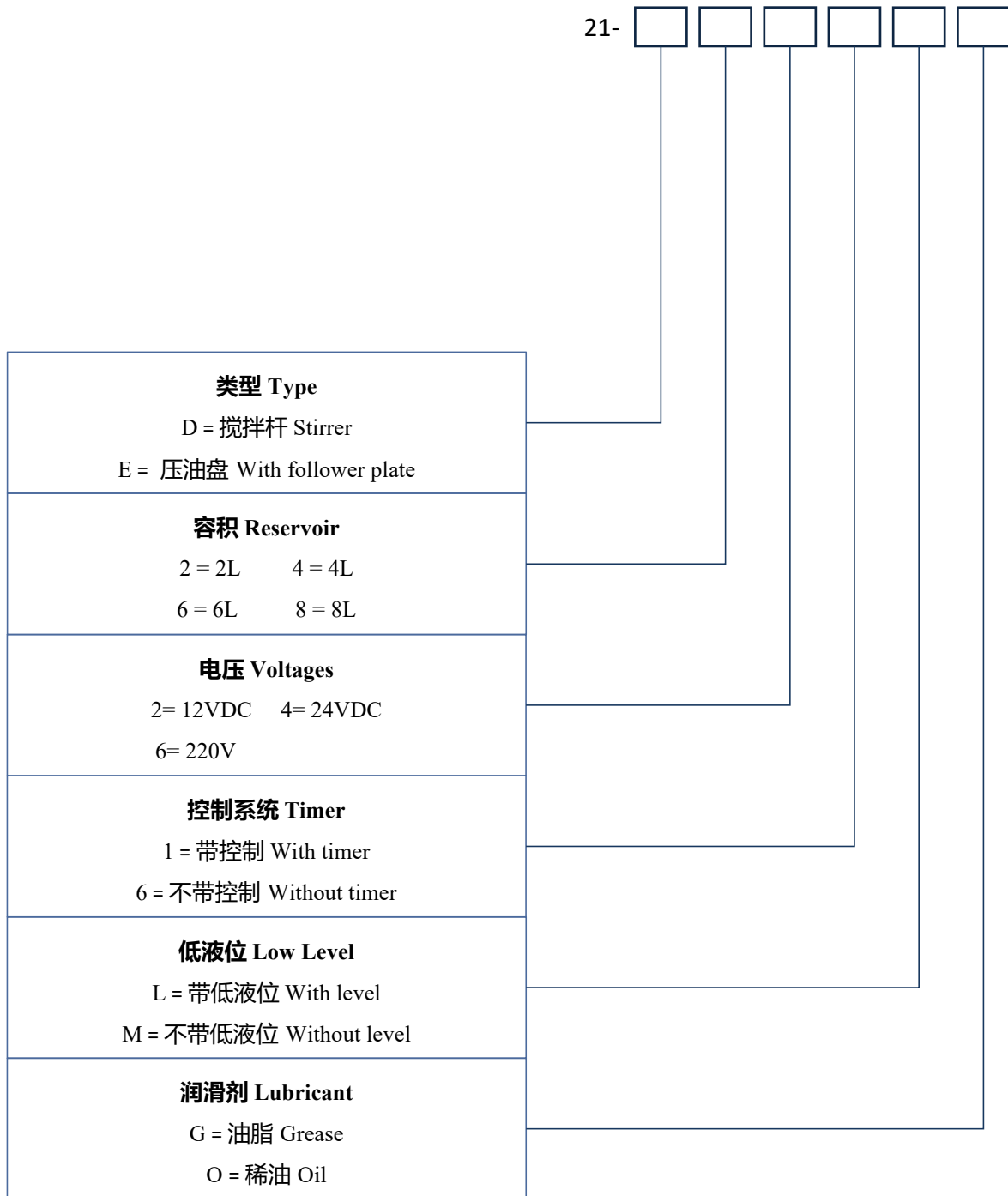
- 出口数量 Unit of pump outlets: 1
- 每泵单元流量 Flow per pump unit: 15ml/min
- 运行压力 Operating pressure: adjustable from ± 70 to 150bar
- 油箱容积 Reservoir Capacity: 2L、4L、6L、8L
- 润滑剂 Lubricants: Oil or NLGI 000# to NLGI 1#
- 使用温度 Operating temperatures: $-50\sim 90^{\circ}\text{C}$



产品安装尺寸 Dimensions(mm)



订购信息 Ordering information:



VL 系列高压分配阀 Series VL high-pressure metering devices

VL 系列计量装置适用于单线高压润滑系统，可输送粘度在 NLGI 2 以下的润滑脂。输出流量外部可调。顶部指示杆可目视检查计量设备的操作。

单独的计量装置可以很容易地拆卸检查或更换。可以与 VL-1、VL-1X、VL-1XL、VL-32 组合在润滑管路中。

The series VL-11 metering devices are for single-line, high-pressure lubrication systems. viscosity up to NLGI 2. Output is externally adjustable. An indicator pin permits visual check of metering device operation. Individual metering devices can be removed easily for inspection or replacement.

May be combined in a circuit of metering devices VL-1、VL-1X、VL-1XL、VL-32

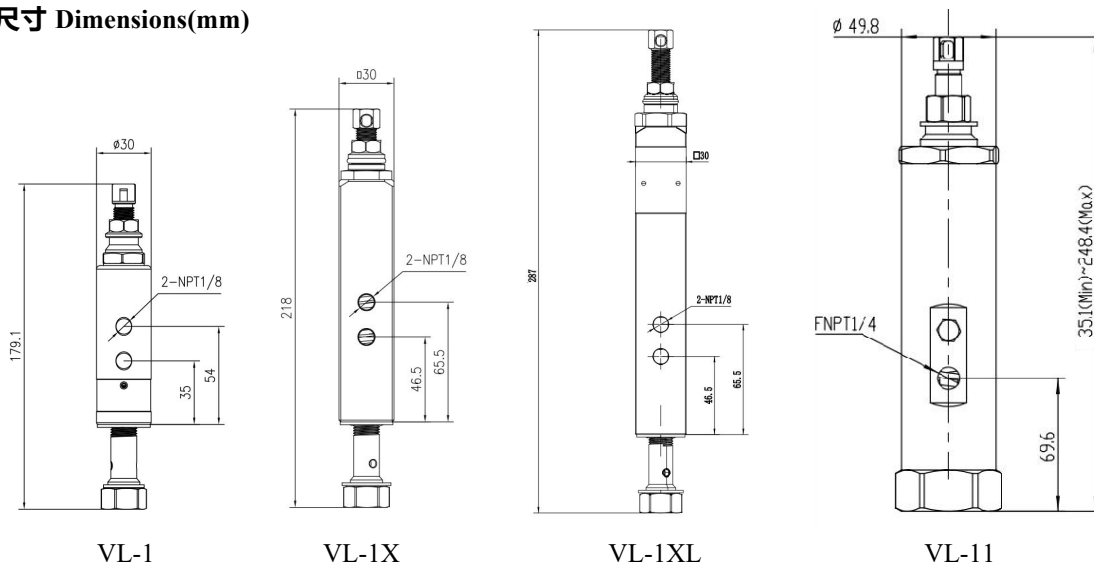


VL-1 VL-1X VL-1XL VL-11

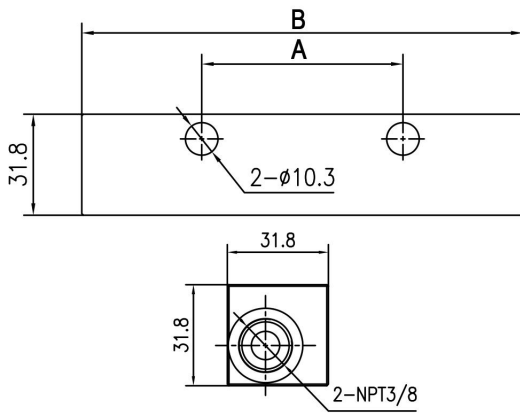
Features

	VL-1	VL-1X	VL-1XL	VL-11
• 最高工作压力 Max.Operating pressure	3500psi (241bar)	6000psi (414bar)	6000psi (414bar)	3500psi (241bar)
• 最小工作压力 Min.Operating pressure	1850psi (128bar)	1850 (128bar)	1850 (128bar)	600psi (41bar)
• 重置压力 Reset pressure	600psi (41bar)	1000psi (69bar)	1000psi (69bar)	600psi (41bar)
• 排量 Metering quantity	0.131 - 1.31 ml	0.25 - 1.31 ml	0.57 - 5.00 ml	0.82 - 8.2 ml
• 工作温度 Operating temperature	-26 to +176 °C	Max. 82 °C	Max. 82 °C	-40 ~93 °C
• 材质 Material	碳钢、不锈钢 Carbon steel、SS			

产品安装尺寸 Dimensions(mm)



计量阀底座 Distributor block:



型号 Part number	出口数量 Output Number	A/mm	B/mm
DBVL01	1	-	63
DBVL02	2	-	76.4
DBVL03	3	31.7	107.5
DBVL04	4	63.4	139
DBVL05	5	95.1	170.5
DBVL06	6	126.8	202.7

单计量阀订购信息

Ordering information of single metering valve

订购信息 Ordering information:

型号 Part number	出口数量 Output Number
VL-1 整套订购信息 SERIES INJECTORS WITH MANIFOLDS	
VL110602	1
VL120602	2
VL130602	3
VL140602	4
VL150602	5
VL160602	6
VL-1X 整套订购信息 SERIES INJECTORS WITH MANIFOLDS	
VL1X01	1
VL1X02	2
VL1X03	3
VL1X04	4
VL1X05	5
VL1X06	6
VL-1XL 整套订购信息 SERIES INJECTORS WITH MANIFOLDS	
1XL01T	1
1XL02T	2
1XL03T	3
1XL04T	4
1XL05T	5
1XL06T	6

系列名称 Series	型号 Part number
VL-1	VL1000
VL-1X	VL1X00
VL-1XL	1XL000
VL-11	VL1100

VL -32 系列高压分配阀 Series VL-32 high-pressure metering devices

VL-32 计量装置的设计目的是通过进料管线压力将润滑剂输送到摩擦点。这些注入器配有可视化的内置液位指示器，以监控操作情况。

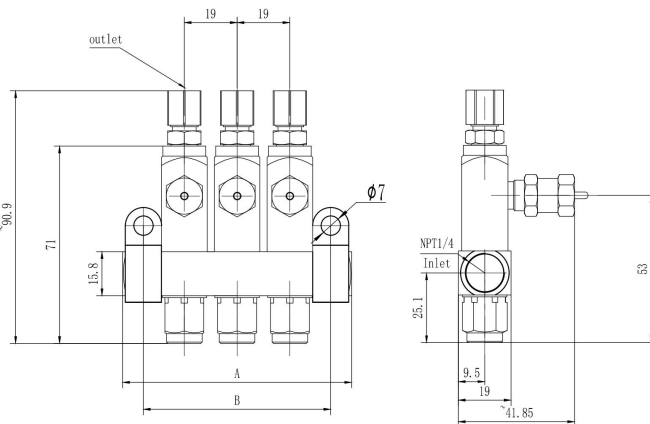
VL-32 计量装置有不同的型号: 从一个到四个出口。安装在分油块上的每个计量装置都可以轻松更换或检查，无需拆卸设备或操作配件和油管。

VL-32 injector has been designed to deliver lubricant to friction points through the feeding line pressure.

These injectors are supplied with visual in-built level indicators to monitoring the operation. VL-32 injector is available in different models: from one to four outlets. Every injector mounted on a manifold can be easily replaced or inspected without disassembling the unit or operating on fittings and tubings.



产品安装尺寸 Dimensions(mm)



出口点数 Injector	A/mm	B/mm
1 point	44.5	29.5
2 point	63.5	48.5
3 point	82.5	67.5
4 point	101.5	86
5 point	120.5	105
6 point	139.5	125.5

订购信息 Ordering information:

产品型号 Part number	出口数量 Output Number
VL3201T	1
VL3202T	2
VL3203T	3
VL3204T	4
VL3205T	5
VL3206T	6
VL3200	单支计量阀订购信息 Ordering information of single metering valve



双线式润滑系统

Lubrication System

for Dual-line

ZP01/02 双线润滑泵 lubrication pump

ZP 01/02 是高压大容量泵，可用于小型或中型双线系统或递进式系统。根据不同的系统布置，这些电动泵可向100m范围内的润滑点提供润滑剂，最大运行压力为 400 bar (5 800 psi)。

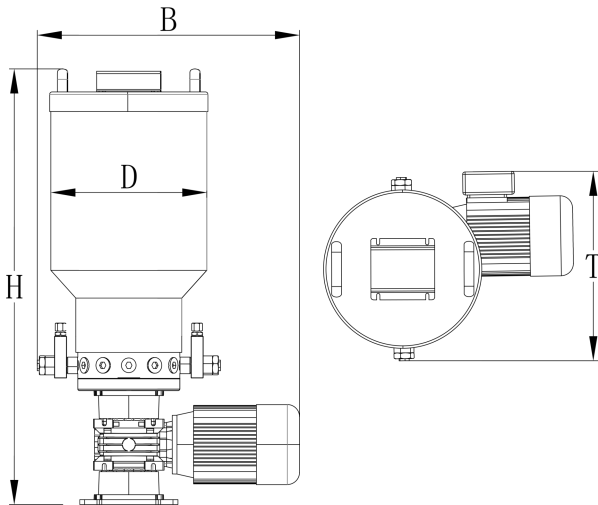
The ZP01/02 high-pressure, high-volume pumps can be used as a supply pump unit for small to midsize dual-line systems or for progressive systems. Depending on the system layout, these electric pumps can supply lubricant within a 100 m radius at a maximum pressure of 400 bar (5 800 psi).

Features

- 最高工作压力 Max. Operating pressure: Max. 40MPa
- 排量 Output rate: ZP01 2160ml/h; ZP02 4320ml/h
- 油箱容积 Reservoir Capacity: 15L、30L
- 电压 Voltages: 380VAC
- 使用温度 Operating temperatures: -20°C ~ 70°C
- 防护等级 Protection class: IP65



产品安装尺寸 Dimensions(mm)



容积 Reservoir	H	B	D	T
15L	740.1	534.7	256	383
30L	887.5	534.7	318	383

订购信息 Ordering information:

排量 Metering quantity 01 = 2 160ml/h 02 = 4 320ml/h
容积 Reservoir capacity 15 = 15L 30 = 30L

ZP-

ZP08/14/24 双线润滑泵 lubrication pump



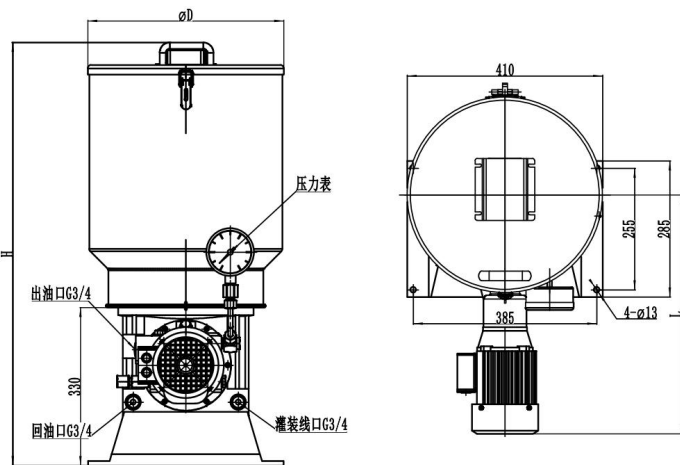
优势 Benefits

- 坚固耐用 Sturdy and durable
- 维护简单 Simple to service
- 三种排量可供选择 Three options for high lubricant output
- 可带超声波油位控制装置 Ultrasonic low- and high-level control options
- 内置润滑剂过滤器 Built-in lubricant filter

Features

- 最高工作压力 Max.Operating pressure: Max. 40MPa
- 排量 Output rate: ZP08 8000ml/h; ZP14 14000ml/h; ZP24 24000ml/h
- 油箱容积 Reservoir Capacity: 40L、60L、100L
- 电压 Voltages: 380VAC
- 使用温度 Operating temperatures: -20°C ~ 80°C
- 防护等级 Protection class: IP65

产品安装尺寸 Dimensions(mm)



规格 Dimensions		尺寸(mm) Dimensions			
		D	Hmax	Hmin	L
容积 Reservoir	40L	325	810	760	510
	60L	410	890	840	530
	100L	510	1100	975	575

订购信息 Ordering information:

<p>排量 Metering quantity</p> <p>08 = 8 000ml/h</p> <p>14 = 14 000ml/h</p> <p>24 = 24 000ml/h</p>
<p>容积 Reservoir capacity</p> <p>40 = 40L</p> <p>60 = 60L</p> <p>100 = 100L</p>

ZP -

DSG/DSL/DSKH 双线分配器 Dual-line distributor

DSG/DSL/DSKH 分配阀采用耐用的镀锌钢制成，用于双线润滑系统，最大运行压力为 40 Mpa (5 800 psi)。最多可达8个出口，每对出口均可配备机械指示杆或电子传感器，进行可视化监测。此外，DSG/DSL/DSKH 分配阀可配备低磨损接近开关或活塞检测器，用以进行电气监测。

DSG/DSL/DSKH 的阀体材料不仅防锈而且耐酸。

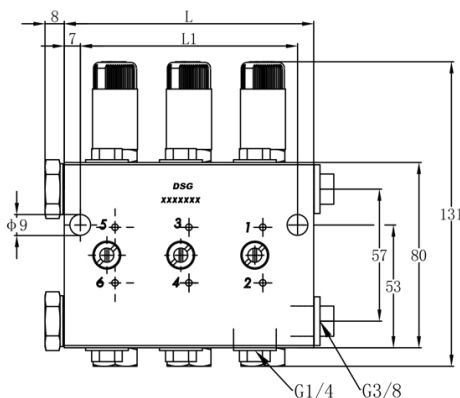
The durable, galvanized steel DSG/DSL/DSKH metering devices are designed for dual-line systems with pressures of up to 400 bar (5 800 psi) These metering devices are available with up to eight outlets, and each pair of outlets is equipped with an indicator pin for visual monitoring. Also, the DSG/DSL/DSKH metering devices are available with low-wear proximity switches, or piston detectors, for electrical monitoring. Additional features include rust-resitant material.



Features

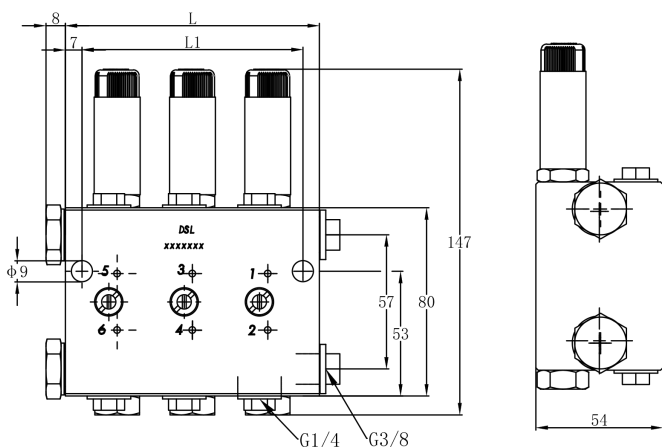
	DSL	DSG	DSKH
• 出口数量 Outlets number	2~8	2~8	2~8
• 每一出油口排量 Discharge (for outlet)	可调排量: 0~5ml/cyc 固定排量: 1.25、2.5、3、3.75.5ml/cyc	可调排量: 0~2.2ml/cyc 固定排量: 0.55、1.1、1.65、2.2ml/cyc	可调排量: 0~1.5ml/cyc 固定排量: 0.3、0.6、1.2、1.5ml/cyc
• 最大工作压力 Max.pressure	Max. 40MPa		
• 工作温度 Operating temperature	Max.120°C		
• 材质 Material	碳钢或不锈钢 Carbon steel or SS		

DSG 产品安装尺寸 Dimensions(mm)



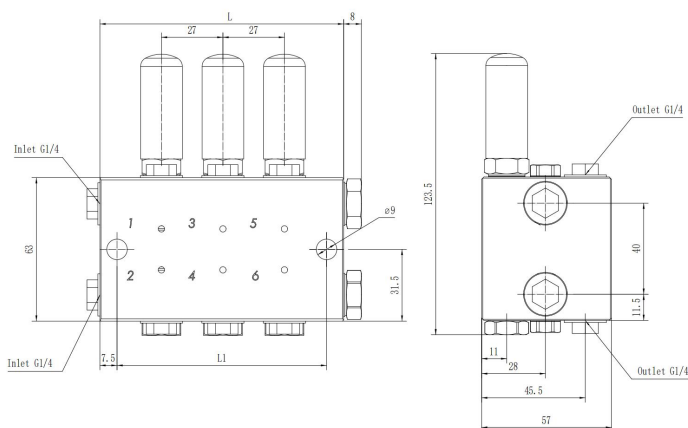
出口数量 Outlet Number	L1	L
2	30	44
4	62	76
6	94	108
8	126	140

DSL 产品安装尺寸 Dimensions(mm)



出口数量 Outlet Number	L1	L
2	30	44
4	62	76
6	94	108
8	126	140

DSKH 产品安装尺寸 Dimensions(mm)



出口数量 Outlet Number	L1	L
2	36	51
4	64	79
6	92	107
8	120	135





多点式润滑系统

Lubrication System for Multi-line

GP212 多点润滑泵 Multi-point lubrication Pump

GP-212可提供大量的润滑脂，泵头单元可达12个，每个泵头都可以简单方便的调节流量。该泵采用模块化设计，具有经济、安装和维护简单的特点，驱动和偏心轴设计、高效蜗轮，部件数量少，具有多重优势。

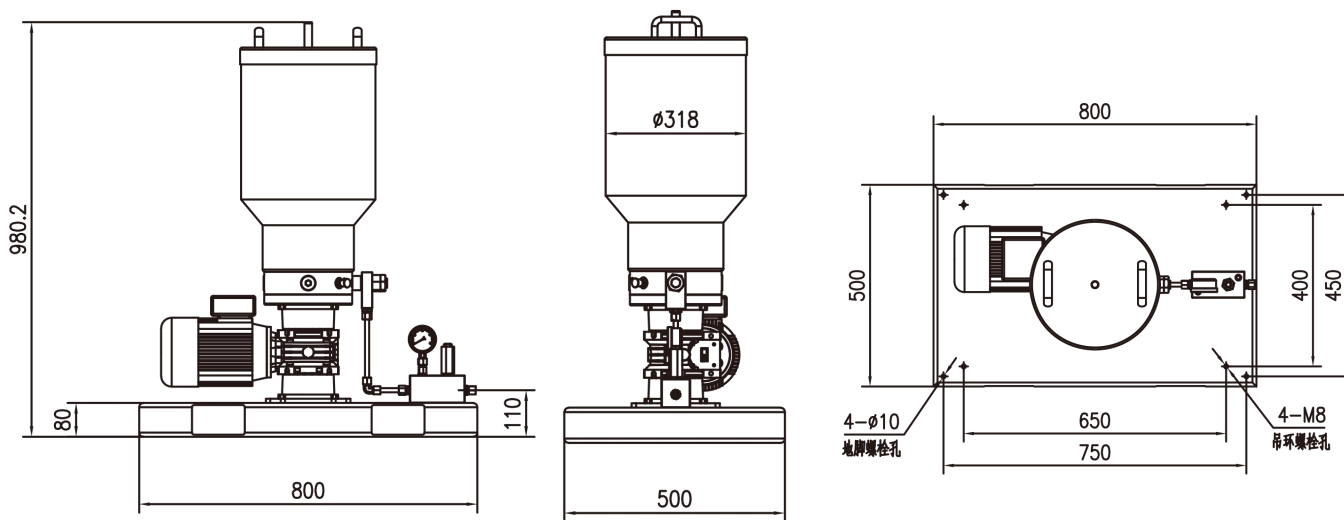
The GP-212 provides a large quantity of grease with up to 12 pump head units. The pump's modular design provides economy, ease of installation and maintenance. Drive and Eccentric Shaft Design drive and eccentric shaft design, high efficiency worm gears, and low component count offer multiple advantages.

Features

- 泵输出单元 Unit of pump outlets: 1~12 unit
- 每个出口排量KR7 Displacement per outlet KR7: 0-750ml/h (可调 adjustable) @50Hz
每个出口排量KR12 Displacement per outlet KR12: 500-1500ml/h (可调 adjustable) @50Hz
- 运行压力 Operating pressure: Max.35MPa
- 油箱容积 Reservoir Capacity: 30L/可配备机械式液位指示器
Can be equipped with a mechanical level indicator
- 润滑剂 Lubricants: up to NLGI 3#
- 电压 Voltages: 220VAC、380VAC、660VAC
- 防爆等级 Explosion-proof grade: EXdIIBT4



产品安装尺寸 Dimensions(mm)



订购信息 Ordering information:

GP212 -

01	KR12	8	YN	8	CEB	-	00	F0	0
----	------	---	----	---	-----	---	----	----	---

<p>出口数量 Outlet Number</p> <p>01=1 02=2 ⋮ 12=12</p>	
<p>柱塞型号 Plunger Type</p> <p>KR7=0-750ml/h (可调 adjustable) KR12=500-1500ml/h (可调 adjustable)</p>	
<p>输入电压 Input Voltage</p> <p>6=220VAC 7=415VAC 8=380VAC 9=660VAC</p>	
<p>电机规格 Motor Specifications</p> <p>YN=普通三相电机 Ordinary three-phase motor EX=防爆电机 Explosion-proof motors EXM=带煤安认证防爆电机 Explosion-proof motors with coal safety certification</p>	
<p>电机电压 Motor Voltage</p> <p>6=220VAC 7=415VAC 8=380VAC 9=660VAC (不带控制 without control)</p>	
<p>控制箱类型 Type of control box</p> <p>XXX=无 not have CEB=标准控制箱 Standard control box BSG=防爆控制箱 Explosion-proof control box</p>	
<p>液位功能配置 Level Function Configuration</p> <p>00=无液位 No liquid level 01=超声波液位计 (不适用防爆) Ultrasonic level meter (not applicable to explosion-proof) 02=高/低液位开关 (适用防爆) High/Low Level Switches (for Ex) 03=机械式目视低液位 (均适用) Mechanical visual low level (both applicable)</p>	
<p>阀块类型 Valve Block Type</p> <p>X=不带出口阀块 (预留G3/8内螺纹) Without outlet block (reserved for G3/8 female thread) F0=标准阀块 (带压力表和安全阀) Standard valve block (with pressure gauge and safety valve) F1=配置压力开关 Configuration pressure switch F2=配置压力传感器 Configuration of pressure sensors</p>	
<p>出口接头形式 Outlet Connector Type</p> <p>0=不装出口接头 (预留G1/4内螺纹) Without outlet connector (reserved G1/4 female thread) 1=φ6直通卡套接头 Traight Through Fittings 2=φ8直通卡套接头 Traight Through Fittings 3=φ10直通卡套接头 Traight Through Fittings</p>	

GP205 电动润滑泵 Electric Pump

FOR THE PROGRESSIVE LUBRICATION SYSTEM



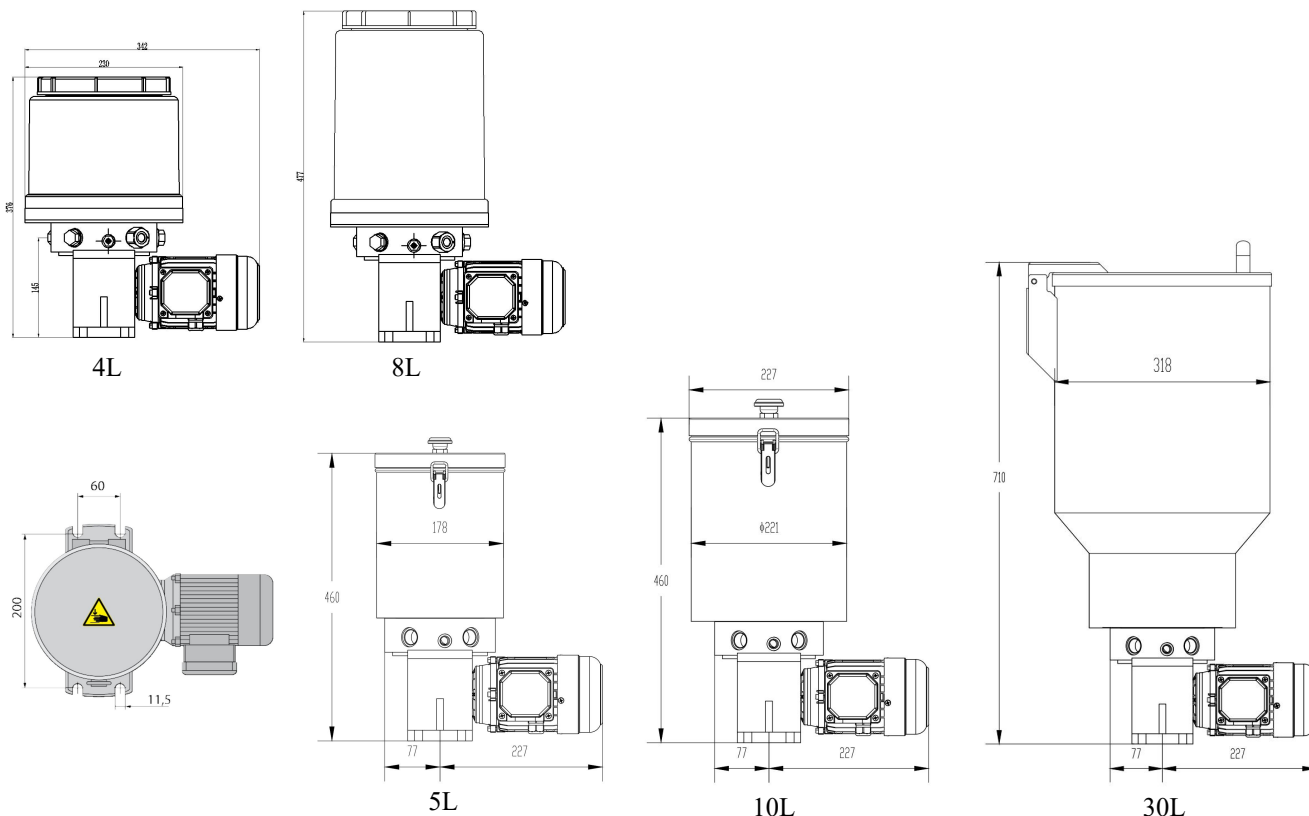
GP205 是一款高压柱塞泵，最多可配五个柱塞副，可同时给五个独立线路润滑，适用于大型集中润滑系统中使用。配备多量程的三相电机，提供不同的齿轮传动比和油箱容积。

GP205 is a piston pump, predisposed to operate with a maximum of three pumping units, three independent line lubrication at the same time, Suitable for large-scale centralized lubrication system. Three-phase motors with multiple ranges offer different gear ratios and fuel tank volumes.

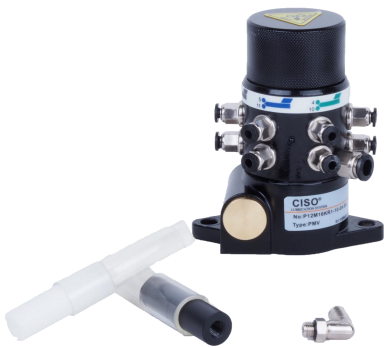
Features

- 出口数量 Unit of pump outlets: Max. 5 unit
- 流量 (取决于泵元件) Flow: 润滑油 0.08~7.7ml/min
润滑脂 0.08~5.5ml/min
- 运行压力 Operating pressure: Max. 35MPa
- 油箱容积 Reservoir Capacity: 塑料罐 4L、8L
金属罐 5L、10L、30L
- 润滑剂 Lubricants: Oil or NLGI 000# to NLGI 2#
- 电压 Voltages: 380~420 VAC/50HZ
- 使用温度 Operating temperatures: VDC -40 - 70°C; VAC -25 - 70°C

产品安装尺寸 Dimensions(mm)



PMV pump



PMV 驱动泵是一款凸轮系统驱动的多点活塞泵，最多达到12个出口，可为多条线路独立供油，出口可以合并，实现额定流量翻倍。其特点为结构坚固,使用可靠，特别适合安装在恶劣环境下的润滑系统中。

The "PMV" is a multi-point piston pump operated by a cam system and designed to feed several independent lines up to a maximum of 12 outlets.

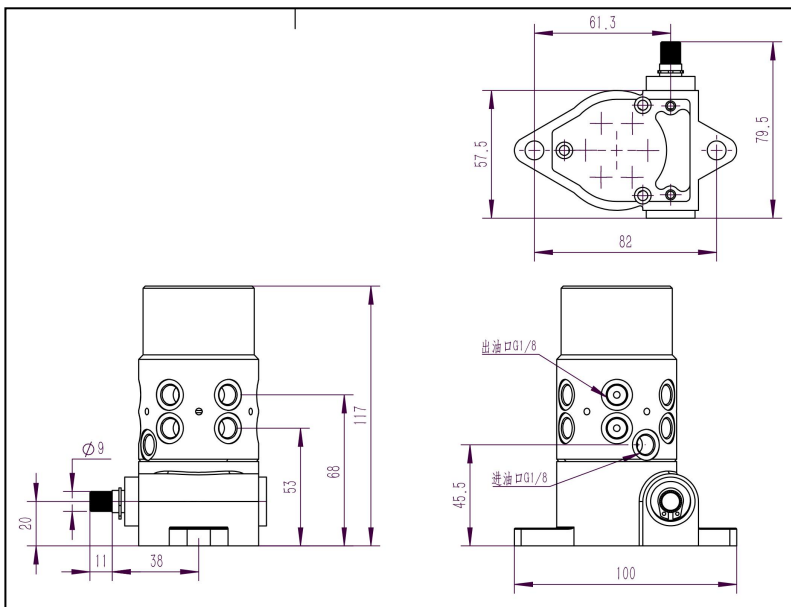
The outlet can be combined to double the rated flow rate.

Characterised for its robustness and reliability, it is particularly suitable for lubricating systems installed in difficult environments.

Features

- 泵送系统 Pumping system: 6个凸轮活塞 cam-operated pistons
- 泵出口数量 Number of outlets: Max. 12
- 可配油箱容积 Reservoir Capacity: 4L、7L
- 减速比 Reduction ratio: 7.6: 1; 11.5: 1; 25: 1; 50: 1
- 运行压力 Operating pressure: 10Bar

产品安装尺寸 Dimensions(mm)



订购信息 Ordering information:

型号 Part number	进口管径 Inlet OD	减速比 Ratio
P12M10076	Ø10	7.6 : 1
P12M08076	Ø8	7.6 : 1
P12M10115	Ø10	11.5:1
P12M08115	Ø8	11.5:1
P12M10250	Ø10	25:1
P12M08250	Ø8	25:1
P12M10500	Ø10	50:1
P12M08500	Ø8	50:1



烟台西索润滑技术有限公司

Yantai CISO Lubrication Technology Co., Ltd



+86 400-800-9400



info@cisolube.com



山东省烟台市高新区博斯纳路41号
41 Bosina Road, High-tech Zone, Yantai, Shandong,
China



WWW.CISOLUBE.COM

本文件中的所有的书面和图像数据均为本文刊发时的最新产品信息。
CISO 保留随时修改的权利，恕不另行通知。



扫一扫
更多精彩
等你发现